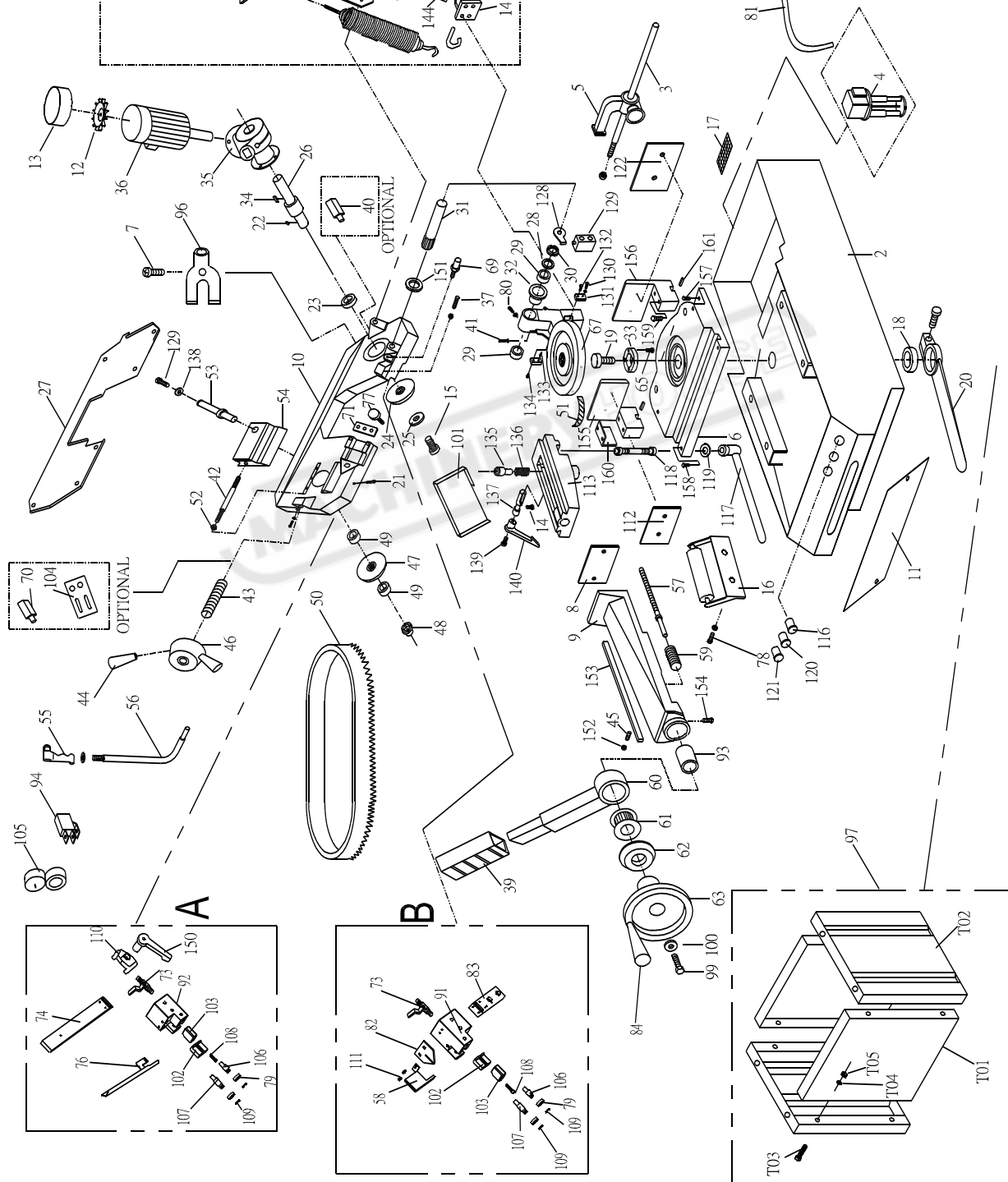
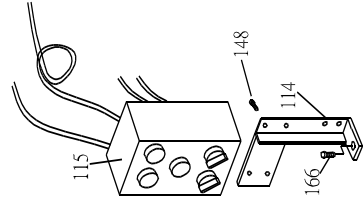
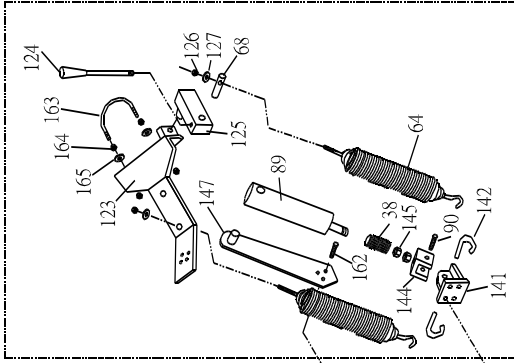


EB-320DSV



PARTS LIST 96' &\$8 GJ

Ref. No. Description	Ref. No. Description	Ref. No. Description
2. Base/底座	57.Vicescrew/角牙桿	116.On /Off Oil Switch/油壓開關
3. Barstop rod/長度桿	58.R. Bladeguard/保護片(右)	117.Handle/把柄
4. Coolpump/冷卻馬達	59.Vicespring/彈簧	118.Bolt/螺栓
5. Barstop/長度板	60.Vicelever/虎鉗柄	119.Washer/華司
6. Countervise/虎鉗下座	61.Bearing 51105/培林	120.Adjusting Button/調整按鈕
7. Screw M5/螺絲	62.Bearing cover/培林蓋	121.Emergency Stop/緊急停止
8. Vice jaw/前檔板	63.Vicehandwheel/手輪	122.Screw/螺絲
9. Vice/虎鉗上座	64.Spring/彈簧	123.Bracket/彈簧支架
10.Body frame/鋸弓	65.Screw/螺絲	124.Handle/手柄
11.Casing/底座蓋	67.Revolving arm/旋轉座	125.Square/旋轉塊
12.Motor Fan/馬達風葉	68.Shaft/心軸	126.Nut/螺帽
13.Motor Cover/馬達蓋	69.Stop bolt/固定軸	127.Washer/華司
14.Screw/螺絲	70.Micro switch(optional)/ 微動開關	128.Cut off plate/切斷片
15.Screw/螺絲	71.Block/固定板	129.Screw/螺絲
16.Roller/滾筒	73.Rubber connection/冷卻螺絲	130.Screw/螺絲
17.Filter/網	74.Arm/長支架	131.Vice Jaw block/檔塊
18.Bush/旋轉螺帽	75.Bolt/螺栓	132.Screw/螺絲
19.Pin/旋轉軸	76.Blade guard/長保護片	133.Screw/螺絲
20.Lever/旋轉柄(把手)	77.Handle/任意把手	134.Screw/螺絲
21.Knob/鈕	79.Bearing 6082Z/培林	135.Crescent seat/半牙座
22.Key 7x7/鍵	80.Screw M8/螺絲	136.Spring/彈簧
23.Bearing 6208/培林	81.Waterpipe/水管	137.Shaft/心軸
24.Motor flywheel/下鋸輪	82.Rust plate/擋屑板	138.Washer/華司
25.Washer/蓋	83.Vicepad/虎鉗墊	139.Screw/螺絲
26.Shaft/鋸輪主軸	84.Handle/把手	140.Grip/把手
27.Blade cover/鋸弓護蓋	89.Hydraulic cylinder/油壓缸	141.Cylinder seat/油壓缸座
28.Ring nilons/套環	90.Pin/油壓缸螺絲	142.Spring hook/彈簧鉤
29.Bearing 32007/培林	91.Fixed bladeguide plate/培林座	144.□ seat/□型座
30.Ring nut M30/主軸帽	92.Mobile bladeguide plate/ 大培林座	145.Nut/螺帽
31.Pivot/支架軸	93.Bush/虎鉗套管	147.Braket/油壓缸支架
32.Bearing cover/培林蓋	94.Togerswitch/(手切)微動開關	148.Screw/螺絲
33.Washer/華司	95.Condenser(motor)(optional)/ 電容器	150.Grip/把手
34.Key 4x25/鍵	96.Coolant distributor/水分頭	151.Gasket/墊片
35.Reducer/齒輪箱	97.Stand/腳架	152.Nut/螺帽
36.Motor/馬達	99.Screw M8*15/螺絲	153.Key/鍵片
37.Screw/螺絲	100.Washer/華司	154.Screw/螺絲
38.Spring/彈簧	101.Plate/水盤	155.Vice seat L./左虎鉗座
39.Plastic case/手把套	102.Bladeguide unit square/ 鎢鋼導塊(方型)	156.Vice seat R./右虎鉗座
40.Micro switch(optional)/ 微動開關	103.Bladeguide unit/鎢鋼導塊	157.Screw/螺絲
41.Screw M8/螺絲	104.Blade tension guide(optional) /開關架	158.Screw/螺絲
42.Threaded shaft/拉塊桿	105.Blade tension gauge /壓力錶	159.Screw/螺絲
43.Spring washer/彈簧片	106.Guide pivot/支架軸	160.L Board/L板
44.Grip/調整栓柄	107.Guide pivot/支架軸	161.Square Key/方鍵
45.Pin/調整螺絲	108.33MM*MS Screw/螺絲	162.Screw/螺絲
46.Handwheel/手輪	109.C-ring/C型扣	162.Screw/螺絲
47.Return flywheel/上鋸輪	110.Fixed plate/壓板	164.Nut/螺帽
48.Hex. Nut/螺帽	111.Screw/螺絲	165.Washer/華司
49.Bearings 32006/培林	112.Vice jaw/前檔板	166.Screw/螺絲
50.Saw blade/鋸片	113.Vice sliding seat/虎鉗滑座	
51.Scale/表尺	114.Switch Bracket/開關支架	
52.Hex. Nuts/螺帽	115.Electrical box/電器盒	
53.Blade sheel shaft/上鋸輪軸		
54.Block bladetension/滑座		
55.Handle/手柄		
56.Lever/手柄桿		